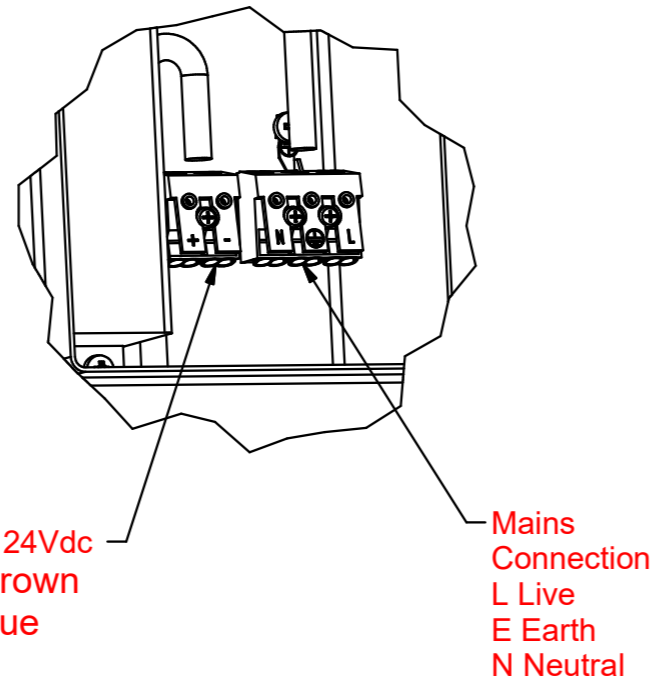
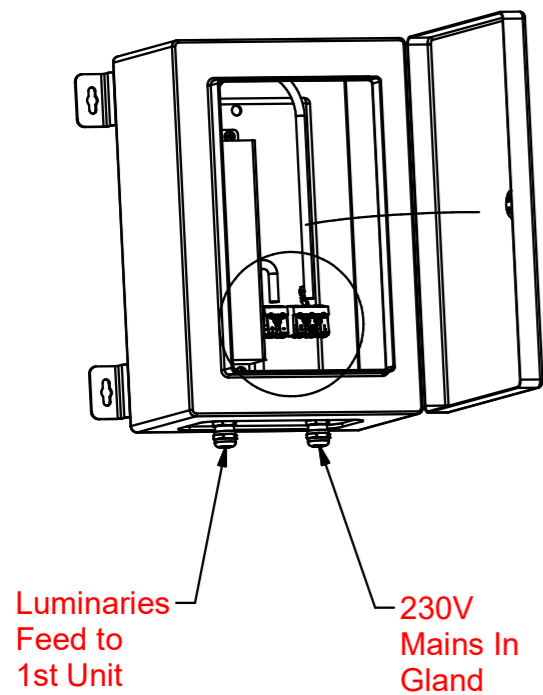


Hospitality Installation & Cable Management

1) Mount Supply Box



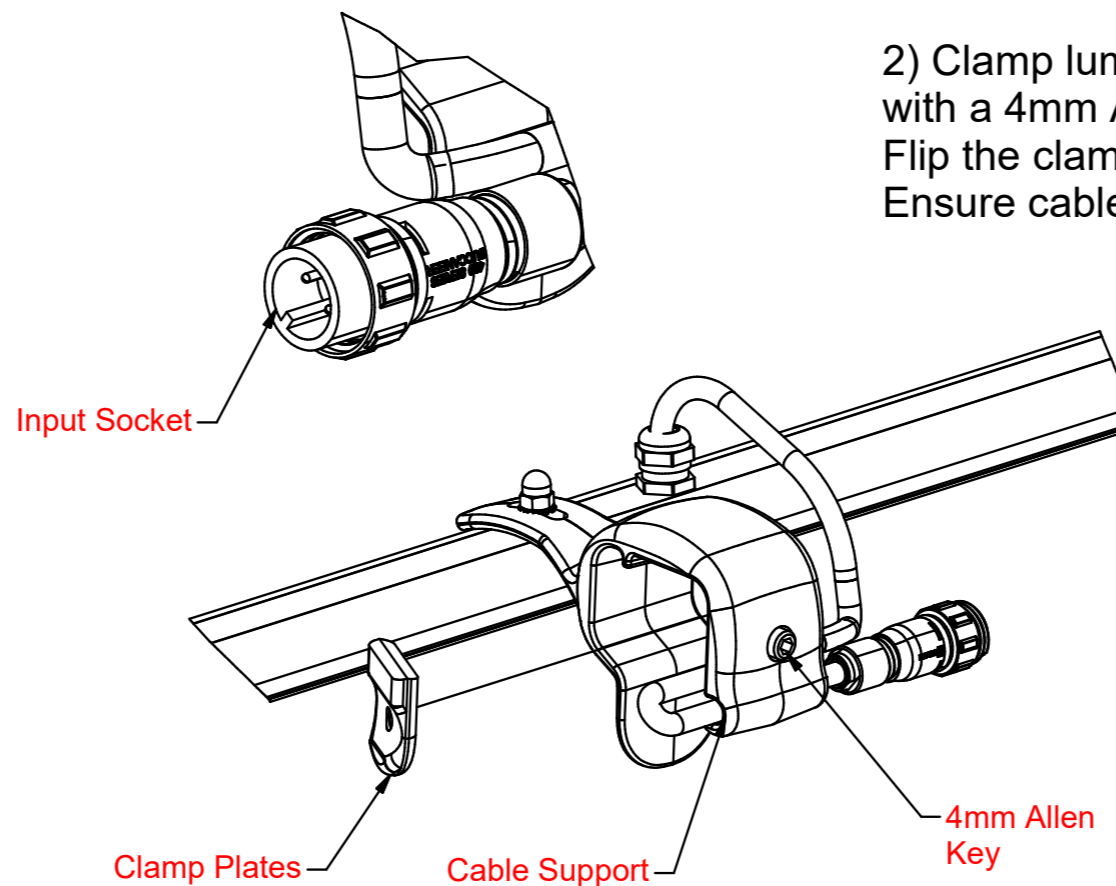
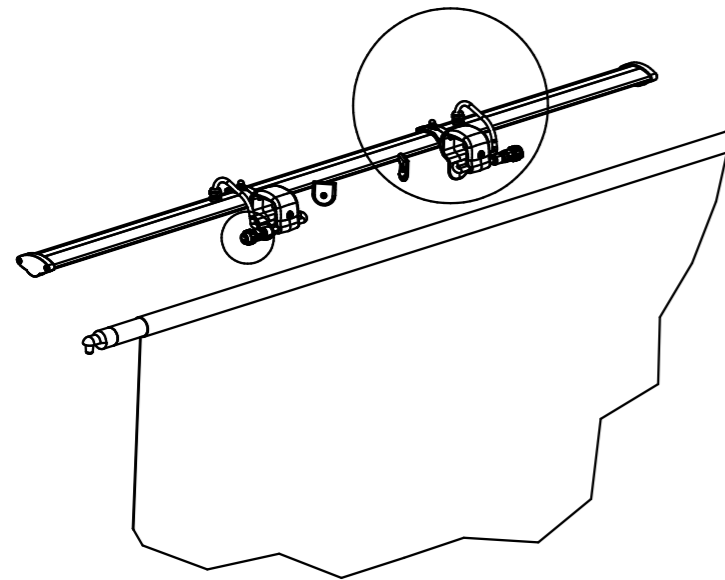
SAFETY FIRST

Isolate the electrical supply before commencing any installation or maintenance work.

Wiring should be carried out in accordance with the latest IEE regulations by suitably qualified engineers.

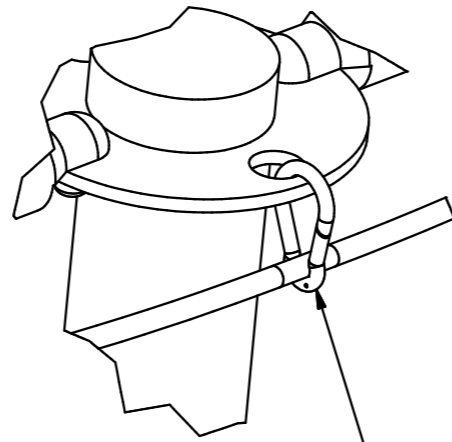
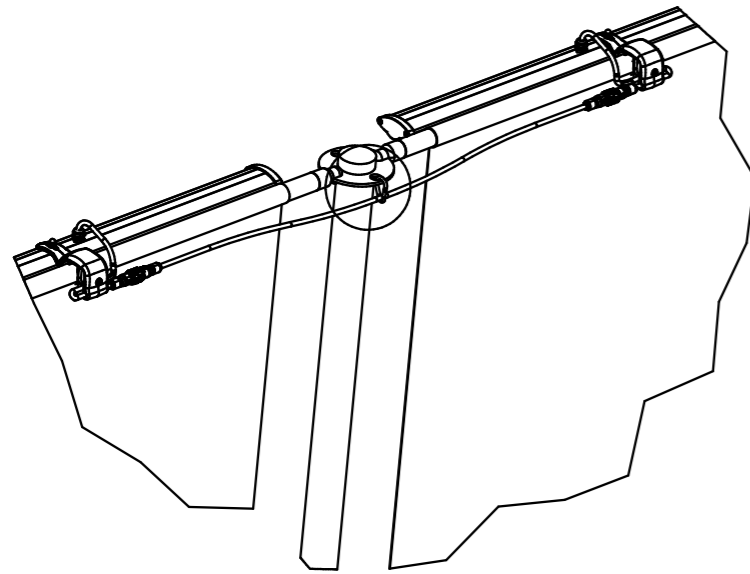
1) Mount supply box. Connect to an incoming 230v mains supply
L Live
E Earth
N Neutral
Ensure gland is tight.

2) Mount Luminaires



2) Clamp luminaires to the barrier cross bar with a 4mm Allen key.
Flip the clamp plate for round and flat poles.
Ensure cable is pressed into cable support on bracket.

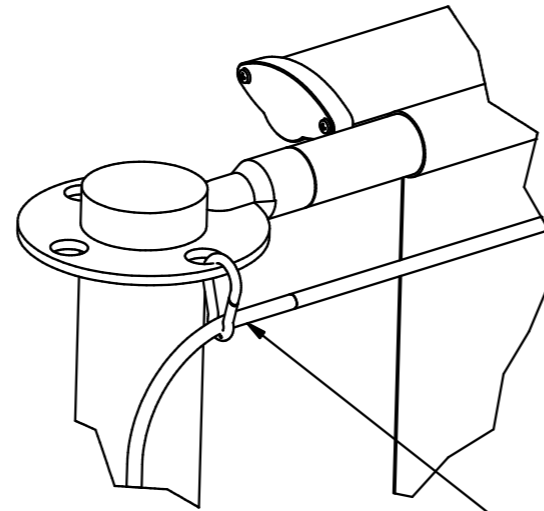
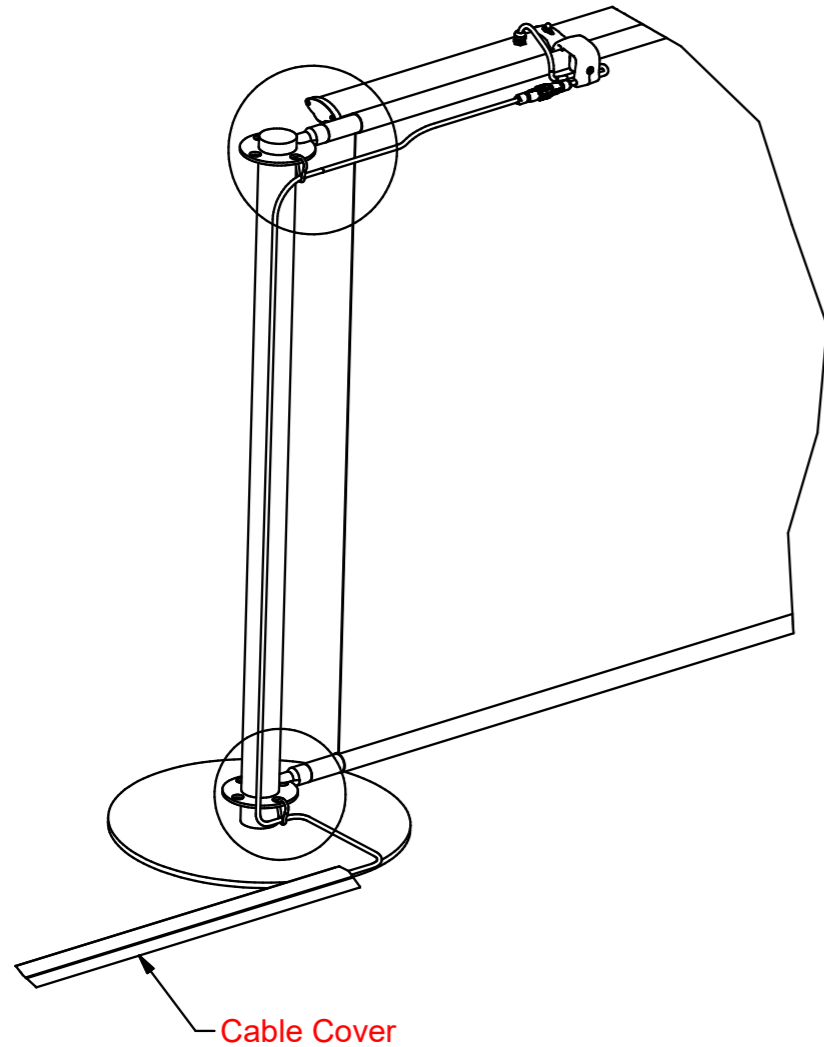
3) Link Luminaires



Push Cable
Into Eye Of
Carabina

3) Use link cables to connect luminaires. Ensure cable to push into carabina clips. Connect the 2 core supply cable to first unit input socket and wire back to supply box.
+ Brown
- Blue
Ensure gland is tight. Last unit should be fitted with a dust cap (supplied) on the output cable.

4) Gangway Option



Push Cable
Into Eye Of
Carabina

4) When a gangway is present use extra long link cable between the gap. Fix cable top and bottom of post, ensure cable to push into carabina clips. Cut cable cover to length and cover cable.

PORTLAND
LIGHTING

Unit 2, Reedswood Park Road, Walsall, WS2 8DQ